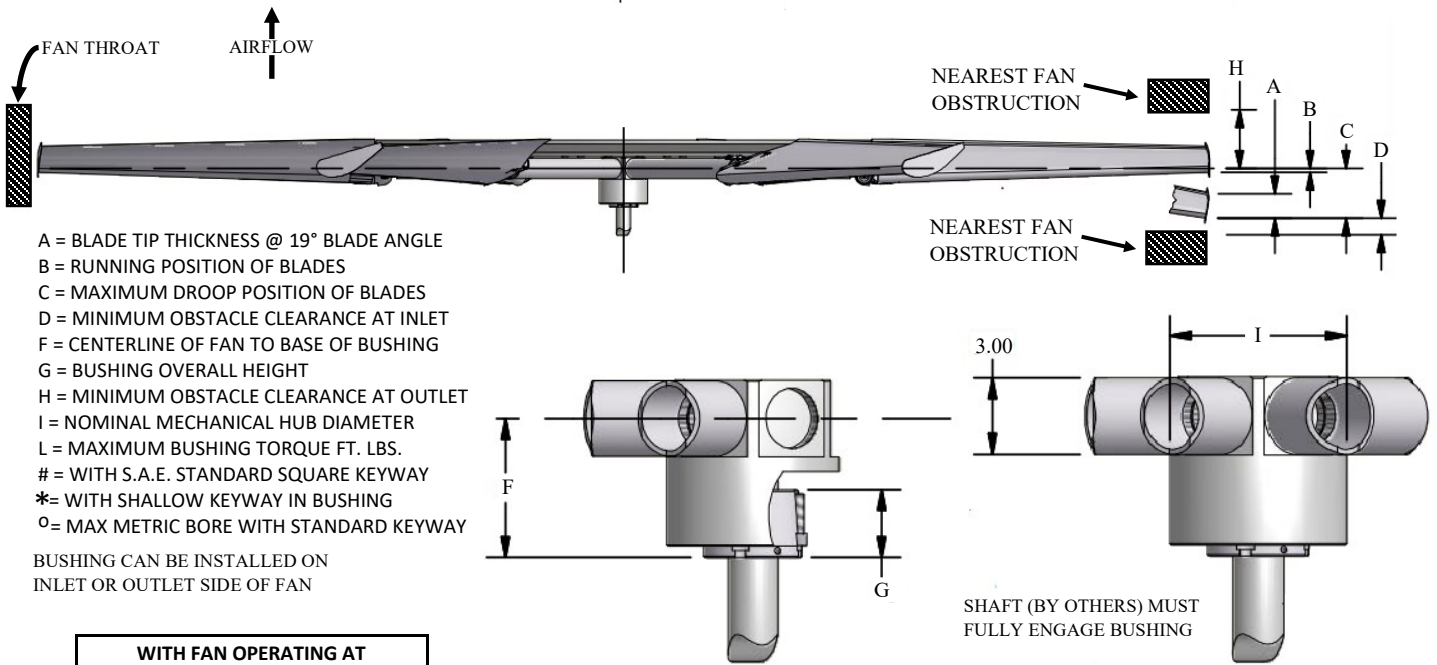
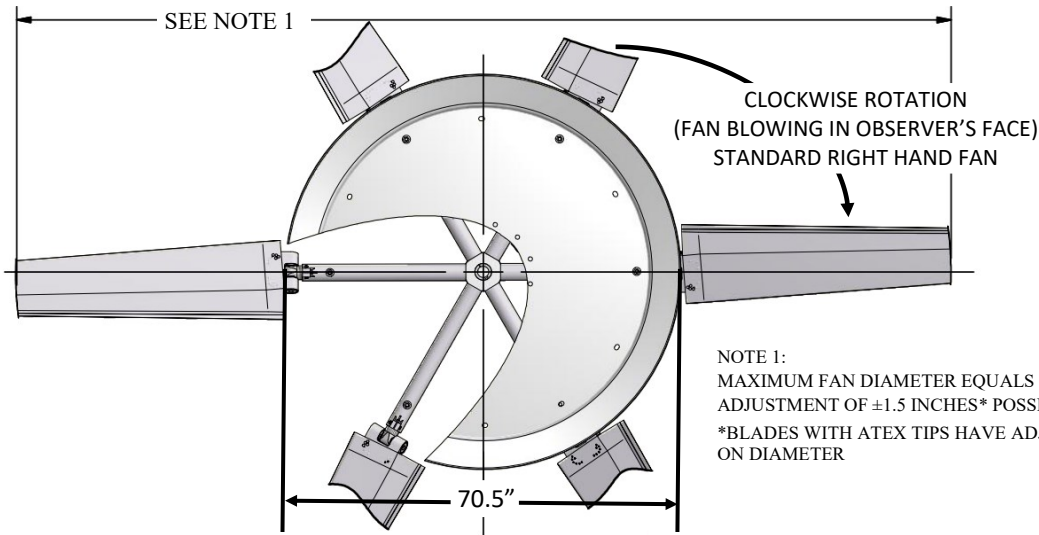
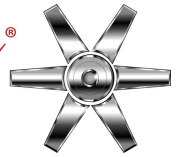


CLASS 10000 HD SERIES 72 SC

EXTENDED HUB, RH ROTATION

Moore
FANS



WITH FAN OPERATING AT
12000 FT/MINUTE BLADE TIP SPEED

DIA	PERCENT BLADE LOADING		C	D	H	
	100%	75%				
12'	2.1"	4.3"	3.5"	5.8"	2.0"	7.0"
13'	1.9"	5.1"	4.1"	7.1"	2.0"	7.0"
14'	1.8"	6.0"	4.8"	8.5"	2.0"	7.0"
15'	1.7"	7.0"	5.6"	10.0"	2.0"	7.0"
16'	1.5"	8.1"	6.4"	11.6"	2.0"	7.0"
17'	1.4"	9.2"	7.2"	13.3"	2.0"	7.0"
18'	1.3"	10.4"	8.1"	15.1"	2.0"	7.0"
19'	1.2"	11.7"	9.0"	16.9"	2.0"	7.0"
20'	1.1"	13.0"	10.1"	18.9"	2.0"	7.0"
21'	1.0"	14.4"	11.1"	21.0"	2.0"	7.0"
22'	0.9"	15.9"	12.2"	23.2"	2.0"	7.0"
23'	0.8"	17.4"	13.4"	25.5"	2.0"	7.0"
24'	0.7"	19.1"	14.7"	27.9"	2.0"	7.0"

MAX BLADES	BUSHING TYPE	MAX # BORE	MAX * BORE	MAX o BORE	I	F	G	L
6	U	2.750"	2.938"	75	7"	5.5", 8.0", 12"	2.7"	4000
8	U	2.750"	2.938"	75	9"		2.7"	4000
12	U	2.750"	2.938"	75	12"	5.5", 8.0", 12"	2.7"	4000
14	U	2.750"	2.938"	75	14"		2.7"	4000
8	W	3.750"	4.000"	100	9"	5.5", 8.0", 12"	2.8"	7300
12	W	3.750"	4.000"	100	12"		2.8"	7300
14	W	3.750"	4.000"	100	14"	5.5", 8.0", 12"	2.8"	7300
16	W	3.750"	4.000"	100	16"		2.8"	7300
12	Z	5.000"	5.500"	140	12"	16", 20", 24"	4.0"	18000
14	Z	5.000"	5.500"	140	14"		4.0"	18000
16	Z	5.000"	5.500"	140	16"		4.0"	18000